

IMPORTANT

1. Always include complete heater model and serial number so that any specification change can be considered for parts shipment. It can save time and expense.
2. Specifications are subject to change without notice.
3. We reserve the right to substitute functional replacements.
4. Order by Part No.; not Heater Option Designation.

Applies to: Replacement Parts for Model Series RG, RP, HRPD, RGB, RPB, RGBL, RPBL, RPDBL, PGBL, RBA, RBHA, and RBL (including prefixes "C", "H", and "HC")

Index

B

- Bearing 22, 43
- Bearing Support 21
- Blower 20, 21
- Model RBL/RBA/RBHA Blower Cabinets 43, 44
- Burner Rack 16

C

- PGBL Furnace Cabinet 13
- RG Cabinet and Flue Box Parts 12
- RP Cabinet and Collection Box Parts 14
- Cabinet Connector & Filler Parts for Multiple Furnaces 12, 14
- Cabinet Parts for "BL" Type Blower Cabinet 20
- Cabinet Parts for "B" Type Blower Cabinet 19
- Certification 3
- Combustion Air Pressure Switch 6
- Packaged System Configurations 4
- Contactors 7, 9
- 2-Stage Controller 6
- Mixed Air Controller 23
- Cooling Coil Cabinet 40
- Roof Curbs 42

D

- Discharge Damper and Controls 42
- Damper Linkage 24, 25, 26
- Dampers and Controls 22
- DDC Control 11
- Disconnect Switch 39
- Door Latch Kit 19, 21, 44
- Downturn Plenum 42
- Drives - Model RBHA 36
- Drives - Model Series (H)(C)RGB, (H)(C)RPB, and Model RBA 31
- Drives - Model Series RGBL, RPBL, PGBL and RBL 34
- Ductstat 6, 8

E

- Electrical Component Locations 6
- Electrical Components 8

F

- Fan Control 6
- Dirty Filter Pressure Switch 6
- Filter Rack 21
- Filters 37
- Firestat 8
- Flue Collar Assembly 12
- Flue Collection Box 12, 13, 14
- Freezestat 8
- Freezestat, Auto Reset 6
- Fuse 7, 9

G

- Gas Pressure Switch 6
- Gas Valve - See Form P-VALVES
- Gear Motor Kit 15

H

- Heat Exchanger 16
- Outside Air Inlet Hood 40

I

- Ignition Controller 6, 8
- Interface Module 23

L

- Limit 10
- Reverse Flow Limit 10
- Limit Control 6, 9
- Line Voltage 5

M

- Manifold 16
- Special Manifolds 18
- Blower Motor 27, 28, 30
- Gear Motor AG39,40,41,42 15
- Motor Adjustment Bracket 20, 43
- Motor Mounting Bolts 22, 43
- Motor Mounting Plate 20, 43

O

- Orifice 17
- Convenience Outlet 7, 9
- Overload 27, 29

P

- Replacement Parts Tag 2
- Pilot 11
- Potentiometer 7, 10, 23

R

- Rating Plate 2
- References 1
- Carryover Regulator 17
- Relay 10
- Time Delay Relay 6, 9
- Relay Chart 5
- Remote Console 39

S

- Sensor 8
- Serial Number 3
- Heat Shields 9
- Holding Coils for IEC Starters 30
- Starters 7, 27, 28, 30
- Air Proving Switch 7
- Auxiliary End Switch 23
- Blower Air Flow Switch 10
- Combustion Air Switch 8
- Gas Pressure Switch 9
- Pressure Null Switch 23
- Pressure Switch 9
- Toggle Switch 11

T

- Temperature Control 9
- Temperature Controller 7
- Terminal Blocks 7
- Thermostats 39
- Transformer 5, 10

V

- Manual Gas Valves 17
- Variable Frequency Drives 27
- Vertical Vent Kit 14
- Vent Cap 12
- Vent Cap Extension 13
- Venter Motor 13, 15
- Vent Limiter 9

Z

- "Z" Baffle 13

Duct Furnace Models



Packaged Models



Blower Cabinets



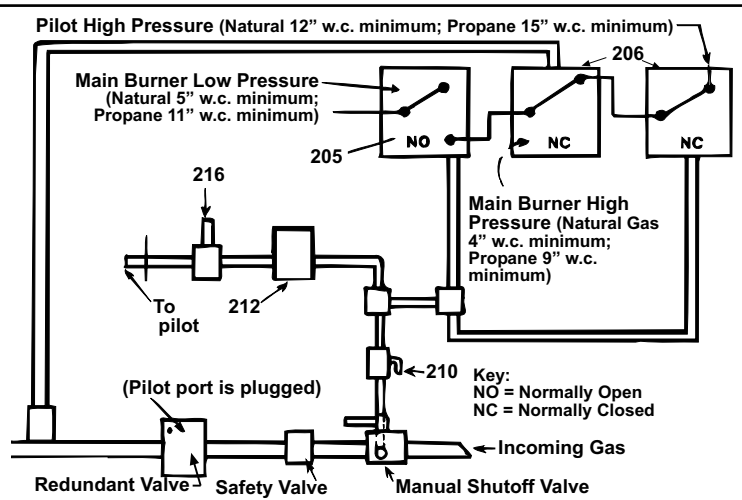
* Model is no longer being manufactured.

See your Factory Distributor for Forms listed below

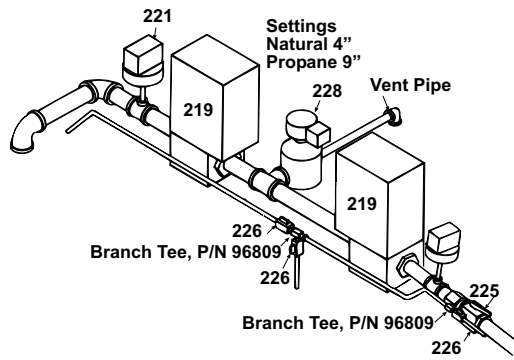
Subject.....	Form
Installation/Operation - Model Series RPBL Packaged Systems	I-SSCBL/RPBL
Installation/Operation - Model Series RP and HRPD Duct Furnaces.....	I-RP/HRPD
Installation/Operation - Model Series RPB Packaged Systems	I-RPB
Installation - Model RBL Blower Cabinet.....	I-RBL
Limited Warranty	W
Replacement Components for Optional Evaporative Cooling Modules.....	P-REC
Replacement Gas Valves, Ignition Controllers, & Maxitrol Components for Modulation Gas Controls (Options AG 7, 8, 9, 21, 39, 40, 41, & 42).....	P-VALVES
Converting to Other Gases.....	CP-GC

Special Manifolds

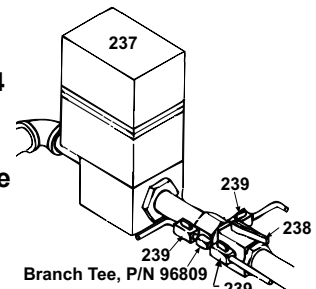
Code	Description	P/N
Components for Illinois School Code Manifold (Option BM12 is no longer required but was available on all sizes of RG, RP, RGB, RPBL, RGB, RPBL, and PGBL)		
205	Low Gas Pressure Switch, see page 9, Code 8 or 9	
206	High Gas Pressure Switch, see page 9, Code 10	
207	Vent Limiter, Maxitrol A1209, see page 9	
208	Pressure Switch Brackets	(3-7)100261
209	Manual Gas Valve (one per unit), page 17	
210	Manual Pilot Shutoff (one per unit), page 17	
211	Safety Solenoid Valve (one per unit)	88242
212	Pilot Valve (one per unit)	25787
213	Pilot Valve Bracket	100262
214	Relay SPDT - Order Replacement Kit, P/N 263527	
215	Relay SPST - Order Replacement Kit, P/N 263527	
216	Pilot Regulator, Maxitrol 400S	86965
217	Switch Push Button (Alarm Silencing)	110130
218	Alarm Bell (Adaptable Edwards #340-465, 24V)	110131



Codes 219-236 - IRI, Option BM13 (applies to Model RPBL 1050 and 1200 and Model PGBL 1200) - Not manufactured after 9/2003.



Codes 237-249 - FM, Option BM14 is no longer required but was available on Model Series RPBL and PGBL)



Code	Description	P/N
Components for FM Manifold (Option BM14 is available on Model RPBL and (C)RGLB 500-1200, and PGBL 1200)		
237	Fluid Power Valve	89356
	Fluid Power Valve Actuator	86993
238	Manual Shutoff and Ball Valve Adapter, page 17	
239	Pilot Manual Shutoff (one per unit), page 17	
240	Pilot Valve (one per furnace)	25787
241	Pilot Valve Bracket	100262
242	Pilot Regulator	86965
243	Transformer 230/460/575 to 115V, 300VA	105202
	Transformer 208 to 115V, 250VA	86991
244	Valve Box Top	110211
245	Valve Box Inlet Side	110195
246	Valve Box Plain Side	110196
247	Valve Box Back	110212
248	Top Door	110213
249	Bottom Door	110214

Code	Description	P/N	Code	Description	P/N
Components for IRI Manifold (Option BM13 is available on Model PGBL 1200 and RPBL 1050 and 1200) - not mfgd after 9/2003					
219	Fluid Power Valve	(2)89356	229	Transformer 230/460 to 115V, .5KVA	86997
	Fluid Power Valve Actuator	(2)86993		Transformer 208 to 115V, .5KVA	86998
220	Low Gas Pressure Switch, pg 9, Code 8 or 9			Transformer 208 to 115V, 250VA	86991
221	High Gas Pressure Switch, pg 9, Code 10			Transformer 230/460/575 to 115V, 300VA	105202
222	Vent Limiter, Maxitrol A1209, pg 9 (2)123481		230	Pilot Regulator	(3)86965
223	Vent Solenoid Valve	86996	231	Valve Box Top	110194
224	Pilot Valve (one per unit)	25787	232	Valve Box Inlet Side	110195
225	Manual Shutoff & Ball Valve Adapter, pg 17		233	Valve Box Plain Side	110196
226	Pilot Manual Shutoff (1 per unit), page 17		234	Valve Box Back	110197
227	RBM Relay - Order Replacement Kit, P/N 263527.		235	Top Door	110198
228	Pilot Valve Bracket	(2)100262	236	Bottom Door	110199

Code 223 - Vent Valve, G/C #S262, P/N 86996



Codes 211, 212, 224, 240 - Solenoid Valve



1/4", P/N 25787
3/4", P/N 88242
1", P/N 112922

Codes 219 and 237



Valve only (used with actuator on the right)

Size	Gas	P/N	M/H
1"	N or P	86992	V5055A1004
1-1/4"	N or P	89356	V5055A1012
2"	N or P	91079	V5055A1038

P/N 86993 Actuator (M/H V4055A1007)



Code 216, 247 - Pilot Regulator, Maxitrol R400S, P/N 86965



Springs for R400S Pilot Regulator

Maxitrol #	Color	Pressure Range	Approx Length.
R400B10-13	Brown	1.0 to 3.5" w.c.	1-9/16 to 2"
R400B10-25	Cadmium Plate	2.0 to 5.0" w.c.	1-9/16 to 2"
R400B10-36	Cadmium Plate	3.0 to 6.0" w.c.	1-9/16 to 2"
R400B10-38	Pink	3.0 to 8.0" w.c.	1-9/16 to 2"

Code 213, 229, 241 - Pilot Valve Bracket in Options BM12, BM13, BM14

P/N 100262



Illinois School Code Remote Console with Alarm Bell and Silencing Buttons
Console Box, P/N 107010
Light, P/N 101889

